

The logo for ADAMS, featuring the word "ADAMS" in a bold, white, sans-serif font. The letter "A" is stylized with three parallel diagonal lines extending from its top-left corner. The background of the entire page is a dark gray with a faint, light gray grid and several large, concentric white arcs that suggest a circular or spherical object, possibly a valve component.

ADAMS

Rotary Tight Shut-Off Valves MAK

Made in Germany

MAK



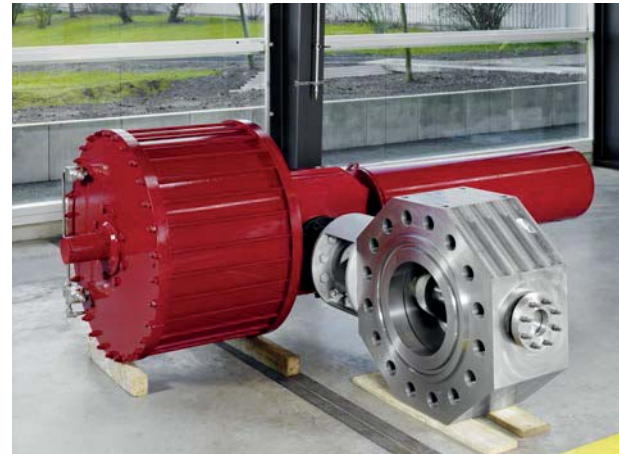
Tight shut-off valve MAK

Mature technology for a broad range of applications

Our MAK valves are universally utilisable products with triple-eccentric valve technology, suitable for extreme operating conditions and a high number of actuations. This type of valve has been successfully used since the 70s and is the further developed version of the original Adams patent.

Our MAK valves are so outstanding due to their high degree of reliability. This type of valve has proven its worth in a wide range of applications over decades. This not only means that we have been using the MAK with great success worldwide for almost 40 years, it also means that quite a number of customers are using valves we supplied decades ago, which are still in good working order in their plants. That is reliability.

Tailor made triple offset technology



DN 600 #1500 Isolation HP Steam Turbine

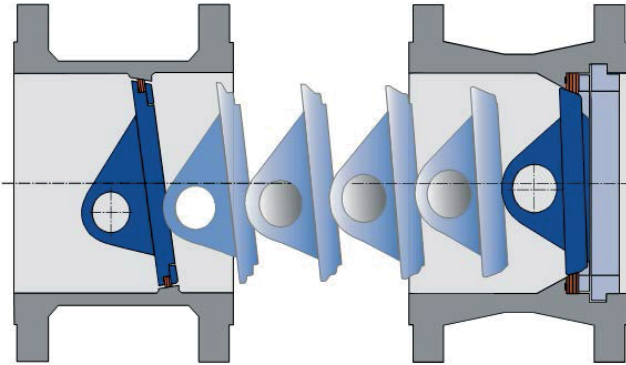
One-hundred-per-cent tightness "Solid Disc"

We have remained true to the basic principle of the triple-eccentric design, which enables the valve to close one-hundred-per-cent tight. Despite this, we have continued enhancing details of this design over the years. For example, the MAK is equipped with a seal in the valve body. This protects the seal from the flowing medium, making maintenance intervals longer and increasing its service life. The special design of the seal enables the valve to be opened and closed without friction, even when working under great differences in temperature and full nominal pressure.

MAK



Development of Rotary Valve technology



This revolutionary improvement in valve technology has set new standards for seal life, tightness and temperature range. The advanced features of this sealing system allows rapid development of special valve designs to meet critical requirements in diverse applications.

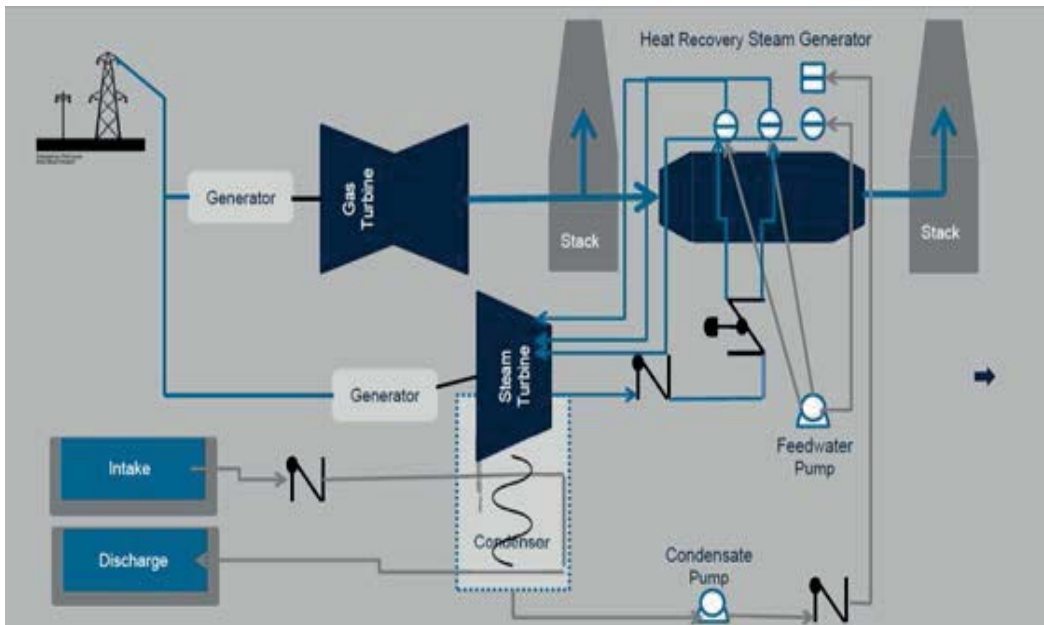
MAK ESD Valve



MAK installed base power stations

Power Stations:

Nuclear, Conventional, Solar, Geothermal...



Applications (not limited)

- Turbine ESD and Control valves
- Cold and reheat isolation
- On / Off and Control valves
- Steam: LP, MP and HP
- Blast Furnace Gas
- Heat Recovery
- District Heating

Range of applications

The MAK can be used for a broad range of temperatures and pressures. The MAK has proven to be highly efficient under conditions such as:

- Steam
- High temperature
- Low temperature
- High medium flow speeds
- High pressures
- Aggressive media
- Abrasive media

Types

The MAK is available either as a cast or a welded design with flange or butt-welded ends. The welded designs can be implemented in all commonly used materials. Depending on customers' requirements, we adapt the valves to suit special needs and also equip them with additional options. That is how a custom-made valve comes into being. That is one of our strengths.

A summary of the benefits:

- Solid Disc
- Low-friction function
- High resilience to temperatures
- Fire- Safe tested
- Excellent control characteristics
- Light Weight
- Compact, robust design
- Easy to maintain, on site / replaceable seat
- Optional installation length
- Low emission
- TA Luft

Facts & Figures

NPS

DN 80 / 3 inches to DN 2400 / 96 inches
Further nominal widths on request

Temperature range

-196 °C / -320 °F to 600 °C / 1112 °F

Pressure Class

PN 10/16/25/40/64/100
ANSI 150/300/600/900/1500

Construction lengths in accordance with

ISO 5752 BS 13 (F16)
ISO 5752 BS 14 (F4)
ASME B 16.10, API 609

Valves designed in accordance with international standards, e. g.

AD technical instructions, ANSI, API, ASME, ATEX, BS, DGRL / PED, DIN EN / ISO, GOST, KTA, MSS, NACE, Norsok, RCC-M

Optional

Steam Tracing

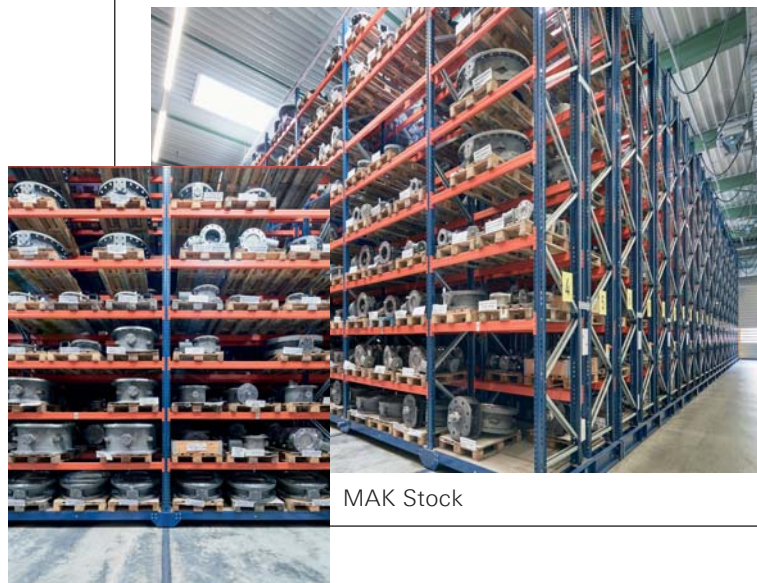
Operation

Manual, pneumatic, electric, hydraulic

Comprehensive Stockrange STOCK DELIVERIES

Materials

WCB, LTCS, SS, High Alloys Nace Trim



MAK Stock



ADAMS Armaturen GmbH
Baukauer Str. 55
44653 Herne / Germany
Phone: +49 (0) 2323 209 0
Fax: +49 (0) 2323 209 286
www.adams-armaturen.de
info@adams-armaturen.de



ADAMS Valves Inc.
12303 Cutten Road
Houston, Texas 77066
Phone: +1 (281) 453 3750
Fax: +1 (281) 453 3749
www.adamsvalves-usa.com
info@adamsvalves-usa.com



ADAMS Schweiz AG
Badstrasse 11
7249 Serneus
Phone: +41 (0) 81 410 22 22
Fax: 41 (0) 81 410 22 29
www.adams-armaturen.ch
info@adamsarmaturen.ch

To find your local sales agent please
contact one of the offices above.

Imprint

ADAMS Armaturen GmbH
Baukauer Str. 55
44653 Herne / Germany

Tel +49 (0)2323 209 0
Fax +49 (0)2323 209 285

www.adams-armaturen.com
info@adams-armaturen.de

As at April 2016.
All rights reserved.
Contents are subject to change.

ADAMS 
Try the butterfly!